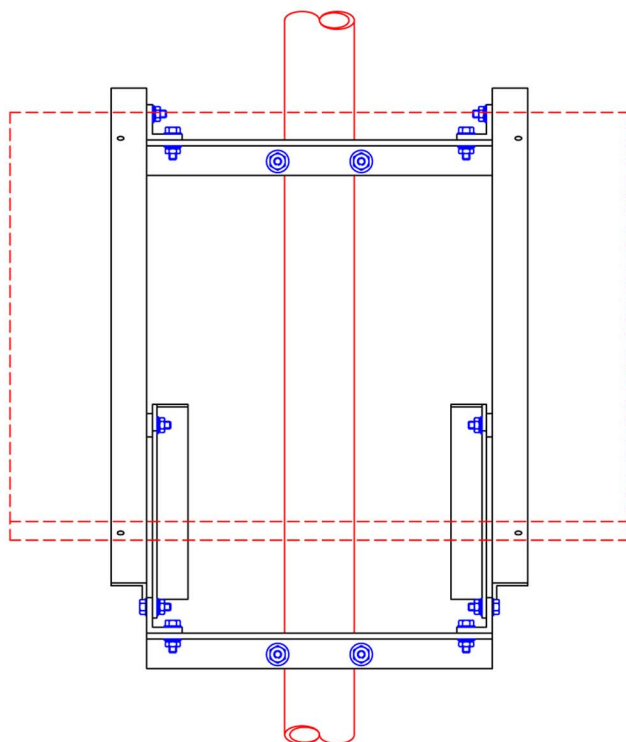
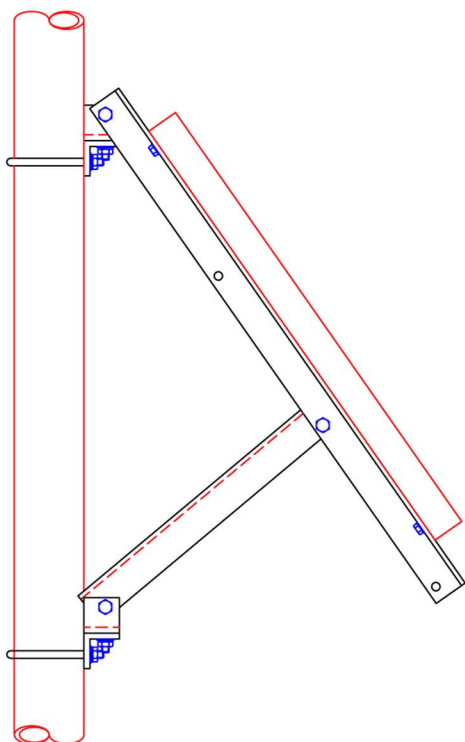


Pole Mount Structures

P-Type

An adaptable pole mounting kit for solar modules, quick and easy to install onto any suitable pole using just basic tools. The structure is supplied packaged as a kit with all necessary fasteners, including U-bolts for fixing onto a 76mm diameter pole, with other pole sizes on request. This kit is suitable for a number of applications where pole mounting is preferred. For single module or 2 module mounting.



Product Information

- Material: 6082-T6 Aluminium
- Fasteners: A4 stainless steel
- Tilt Angles: 10° - 70°, also available in fixed tilt
- Suitable for: Most modules
- Mounting surface: Pole (3" diameter standard)